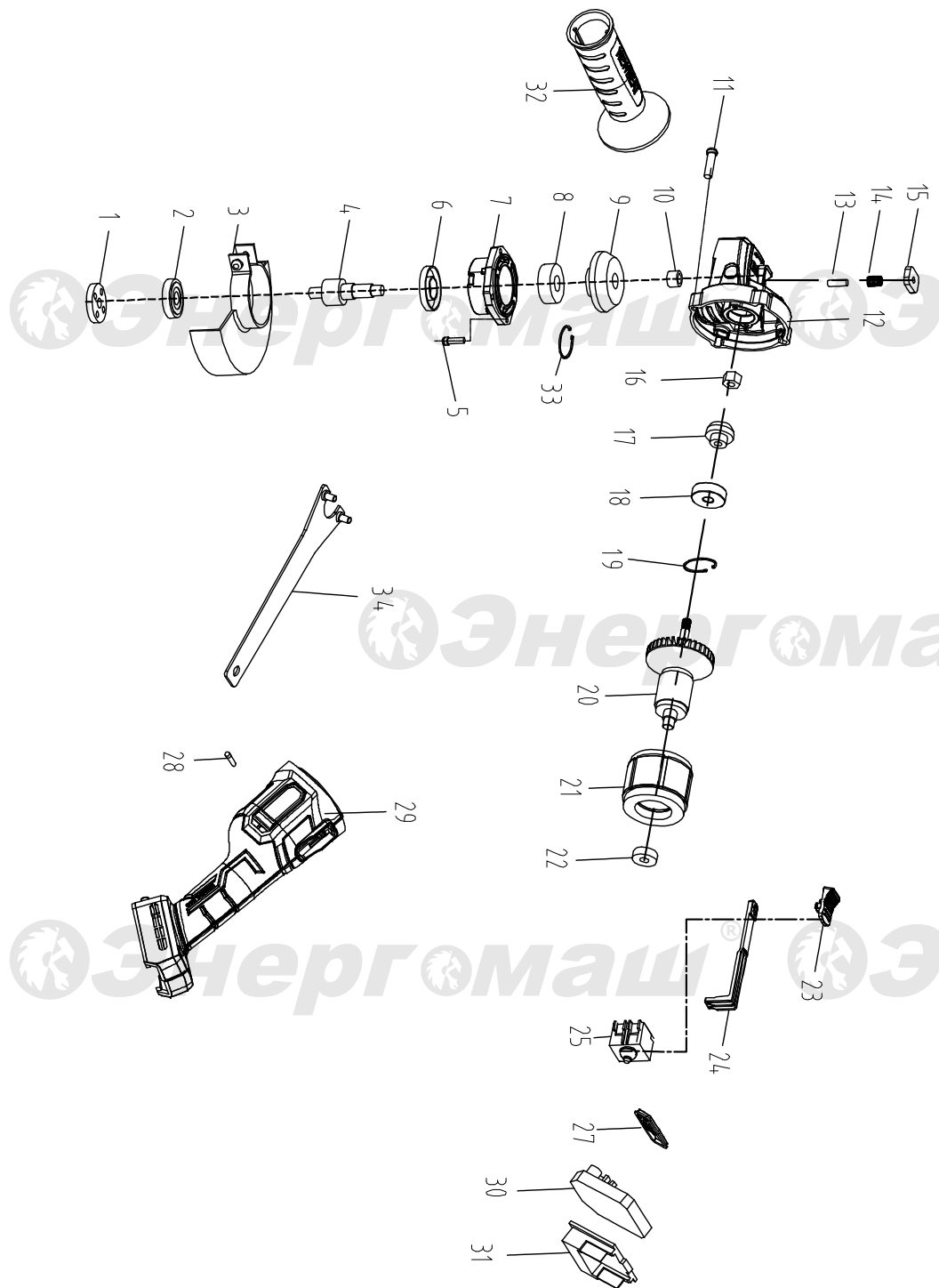


# УШМ-18125Э



NO	DESCRIPTION	NO	DESCRIPTION
1	UPPER PRESSURE PLATE	21	STATOR
2	DOWN PRESSURE PLATE	22	BEARING 607RS
3	GUARD	23	PUSH BUTTON
4	OUTPUT SHAFT	24	PUSH ROD
5	SCREW M4X12	25	SWITCH
6	DUST COVER	27	SPEED CONTROL BUTTON
7	GEAR BOX COVER	28	SCREW ST3X14
8	BEARING 6201RS	29	HOUSING ASSY.
9	BIG GEAR	30	MOTOR PCB
10	BEARING HK0709	31	CONNECTION FOOT
11	SCREW 4.2*18	32	AUXILIARY HANDLE
12	GEAR BOX	33	CIRCLIP
13	LOCKING PIN	34	WRENCH
14	SPRING		
15	LOCKING PIN CAP		
16	NUT M6		
17	MOTOR GEAR		
18	BEARING 629RS		
19	CIRCLIP		
20	ROTOR		

USM-18125A-EX-RU240903-1